



# Front Entrance Doors

## **RD65**

[www.ryternaentry.com](http://www.ryternaentry.com)

# RYTERNA

25 years delivering doors  
with a personal touch!





## RYTERNA Front Entrance Doors

Entrance door is a key element of house facade. Every day You see, touch and use it. Door must be safe, warm, maintenance free and match the exterior.

We offer wide range of made to measure and standard size doors with numerous design choices including possibility to create Your own design.

Latest technologies combined with perfect design results outstanding appearance and performance.





RD65 designs	6
Features	23
Locks	26
Handles	28
Accessories	29
Finger scanners	30
Colours	31
Side and top elements	32
RD65 design list	34







Design **107**  
 Outside colour **White RAL9016 matt**  
 Handle **H45R 800mm stainless steel**  
 Escutcheon **ESC-2**  
 Windows **Safety triple glazing**  
 Glazing **Tinted**  
 Safety resistance class **RC2**



Design **111**  
 Outside colour **Grey RAL7016 matt**  
 Handle **H45R 800mm stainless steel**  
 Escutcheon **ESC-2**  
 Windows **Safety triple glazing**  
 Glazing **Tinted**  
 Safety resistance class **RC2**

Design **109**  
Model **RD65**  
Outside colour **Old Oak**  
Handle **HLA aluminium handle**  
Windows **Safety triple glazing**  
Glazing **Matt**  
Safety resistance class **RC2**



Design **109**  
Outside colour **Golden Oak**  
Handle **H45R 500mm stainless steel**  
Escutcheon **ESC-2**  
Windows **Safety triple glazing**  
Glazing **Matt**  
Safety resistance class **RC2**









Design **109**  
 Outside colour **Grey RAL7016 matt**  
 Handle **H45R 800mm stainless steel**  
 Escutcheon **ESC-2**  
 Windows **Safety triple glazing**  
 Glazing **Matt**  
 Safety resistance class **RC2**



Design **109**  
 Outside colour **Grey RAL7016 anthracite**  
 Handle **H45R 500mm stainless steel**  
 Escutcheon **ESC-2**  
 Windows **Safety triple glazing**  
 Glazing **Etched effect glazing**  
 Safety resistance class **RC2**

Design **109**  
Outside colour **Black RAL9005 matt**  
Handle **H45R 500mm stainless steel**  
Escutcheon **ESC-2**  
Windows **Safety triple glazing**  
Glazing **Matt**  
Safety resistance class **RC2**



Design **112**  
Outside colour **RAL7030 matt**  
Handle **H45R 800mm stainless steel**  
Escutcheon **ESC-1**  
Windows **Safety triple glazing**  
Glazing **Tinted**  
Safety resistance class **RC2**





















22













RD65 frame is made of composite aluminium profiles with 24 mm thick thermal break. Leaf is 65 mm thick with double steel skin filled with freon free PU foam.

All windows and sidelights are triple glazed with safety glass. You can choose clear, obscure, opaque or tinted glazing options. Custom glazing available on request.

Ryterna entrance doors are made to resist the elements and certificated by IFT testing institute in Rosenheim, Germany.



**RC 2**



Thermal transmittance  
U value



**0.73 W/m<sup>2</sup>K\***

Safety resistance class  
EN 12519



**RC 2**

Wind resistance class  
EN 12207:199-11



**4**

Rain resistance class  
EN 12208:199-11



**4A**

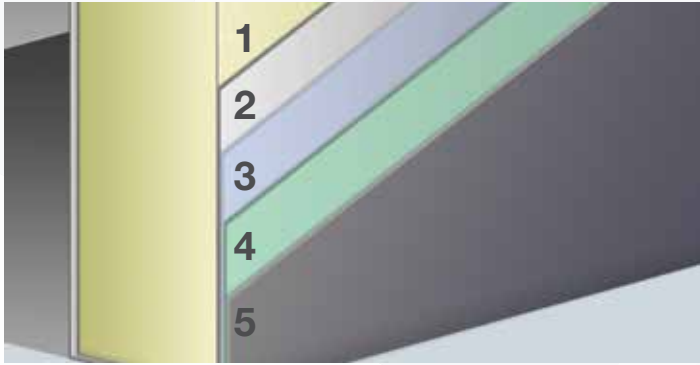
Sound reduction  
EN 717-1:2013



**-30 Db**

\*for 1000x2200 mm size plane leaf doors



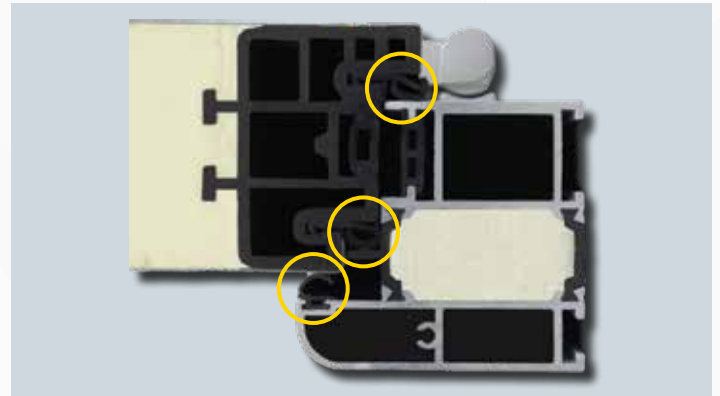


- 1 Polyurethane foam
- 2 Cold rolled steel
- 3 Hot dip galvanisation
- 4 Chemical treatment
- 5 Powder coated

## ✓ Door Seals

Three contour sealing ensures perfect insulation.

Door has three seal contours: one on the frame and two on the leaf.



## ✓ Door Hinges

Robust Schuring hinges are made to serve.

High quality alloy and powder coating, patented ball-bearing system will guarantee durability and performance.

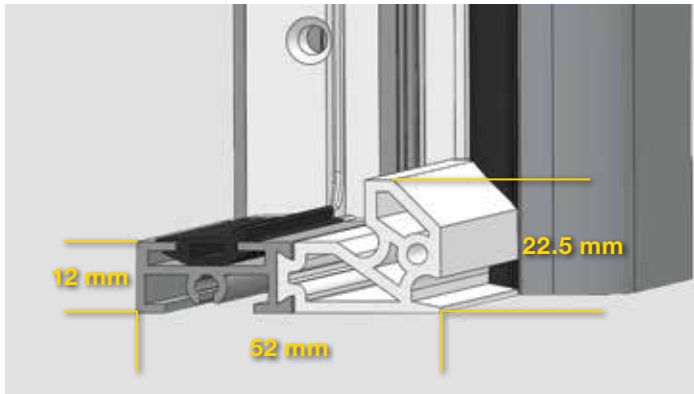
3D adjustable feature allow to get perfect sealing after decades of service.

 **schüring**<sup>®</sup>  
Fenster- und Türtechnologie GmbH



## ✓ Threshold

Heavy duty durable aluminium and PVC composite threshold profile perfectly seals bottom of the door protecting your home from drafts, moisture, dust and insects.

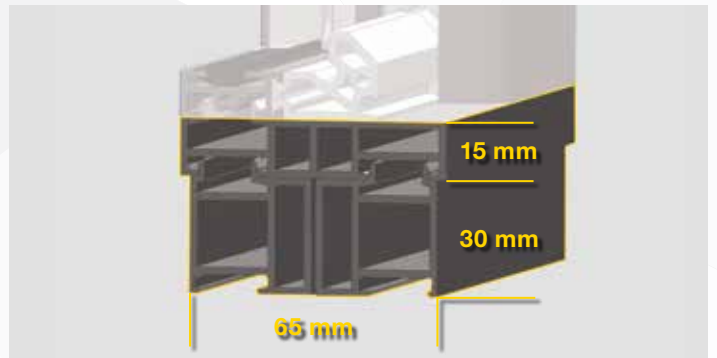


## ✓ Dimensions

Threshold height is 12 mm on the inside and 22.5 mm on the outside.

## ✓ Add-on profiles

Add on bottom profiles. 15 mm and 30 mm height. Can be combined in series..  
15mm+30mm+30mm.....



## ✓ Key cylinders (safety classes A,B,C)

WILKA key cylinders are famous for their security and reliability. You can chose one of three safety classes: A,B or C the highest.

WILKA cylinder comes with 5 keys.

Additional keys are available on request

**WILKA®**  
SCHLIESSTECHNIK



CWA



CWA+TT

## ✓ Locks

KFV locks are made from high-quality materials with precise workmanship.

Hi-tech mechanics ensure reliable, precise and easy operation. Lots of options starting from the simplest 3 point lock up to sophisticated 5 point lock.

# KFV



## ✓ 3 points multiple lock **L3P**

## ✓ 5 points multiple lock **L5P**

## ✓ Day & Night **L3P+D&N**

3 points multiple lock with option to disable temporary self-locking.

## ✓ Electric 1 **L3P+D&N+EM**

3 points multiple lock with electric strike and option to disable temporary self-locking.

Lock can be connected to finger-scan or keypad (optional)

## ✓ Electric 2 **L5PMA**

5 points multiple lock, latch-bolts are mechanically self locking and opening by electric drive, dead-bolt operated by key.

Lock can be connected to finger-scan or keypad (optional)

## ✓ Electric 3 **L5PA**

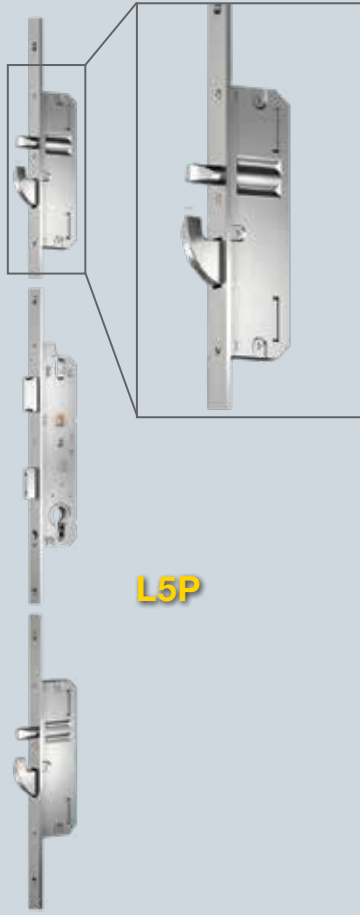
5 points multiple lock, Latch-bolts and dead-bolts are operated by electric drive.

Lock can be connected to finger-scan or keypad (optional)





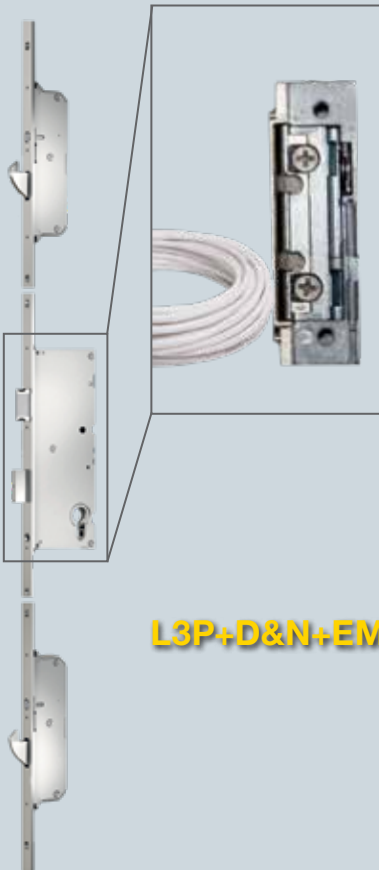
**L3P**



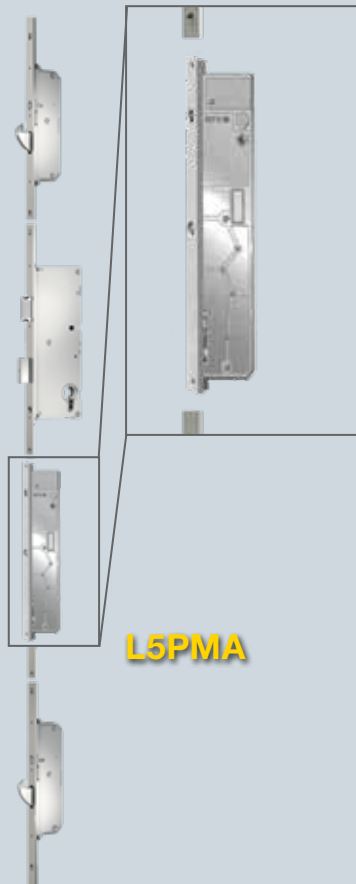
**L5P**



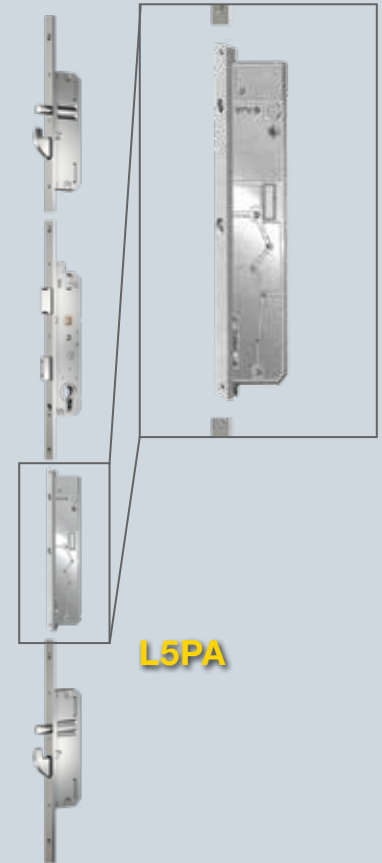
**L3P-D&N**



**L3P-D&N+EM**



**L5PMA**



**L5PA**



✓ **Stainless steel handles**

**H45R-500**

Ø 30 mm  
H 500 mm  
45°

**H45S-500**

30x20 mm  
H 500 mm  
45°

**H45R-800**

Ø 30 mm  
H 800 mm  
45°

**H45S-800**

30x20 mm  
H 800 mm  
45°

\*Outside only

**H45R**

**H45S**

✓ **Lever and knob handles**



**HL-W** (White)

**HL-B** (Black)

**\*HK-W** (White)

**\*HK-B** (Black)

**HLA**

**HLS 01**



**HLS 02**

**HLS 03**

**HLS 04**

**HLS 05**

**HLS 06**

**HLS 07**

\*Outside only the rest can be fitted outside/inside

### ✓ Escutcheons

You can choose from two stainless steel escutcheons.



**ESC-1**



**ESC-2**

### ✓ Keypads

EKEY keypads are secure and easy to operate. Can contain up to 99 entries. Can be installed on door leaf or on wall.

Ekey White



**KP2**

Ekey Black



**KP3**





## ✓ Ekey Arte **FSC1**

Thanks to its compact design Arte finger scanner can be integrated discreetly into unusual door designs and fittings.

## ✓ Ekey Integra **FSC2**

The finger scanner is mounted in the wall using stainless-steel accessories (in-wall set).

The finger scanner will only operate when connected to an ekey control panel.

Both finger-scanners can be controlled by app. So you can open the door with your smart-phone and enjoy all the benefits of operation via app.

**FSC1****FSC2**

## ✓ Sommer finger scanner **FSC3**

Secure and easy to operate Sommer finger-scanner will bring more convenience in to your everyday life.

By entering your own 3 fingerprints you can easily operate entrance, garage doors and gate. Just with three touches you can close gate, garage door and open entrance door or vice versa.

## ✓ Sommer remote handset **RMT1**

Sommer finger-scanner and remote handset are compatible with each other. 4 channel handset can operate 4 different objects like entrance or garage door, gates or yard lights.

Secure rolling code transmitter signal can not be copied. Just one beautifully crafted ergonomic handset can replace a bunch of keys.

**FSC3****RMT1**

### ✓ Standard RAL colours

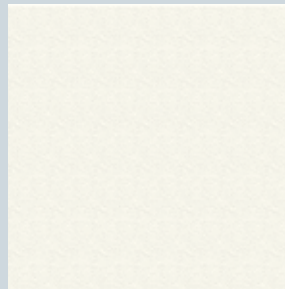
#### Inside:

RAL 9016 gloss 20%

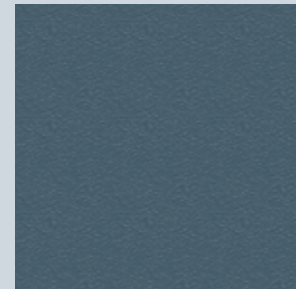
#### Outside:

RAL 9016 gloss 20%

RAL 7016 gloss 20%



**RAL 9016 matt**



**RAL 7016 matt**

### ✓ Others RAL colours & wood images

Ryterna colour palette

Golden Oak

Old Oak

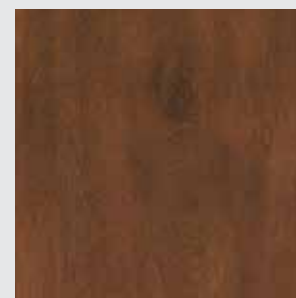
\*Structure painting available upon request



**Ryterna RAL colour palette**

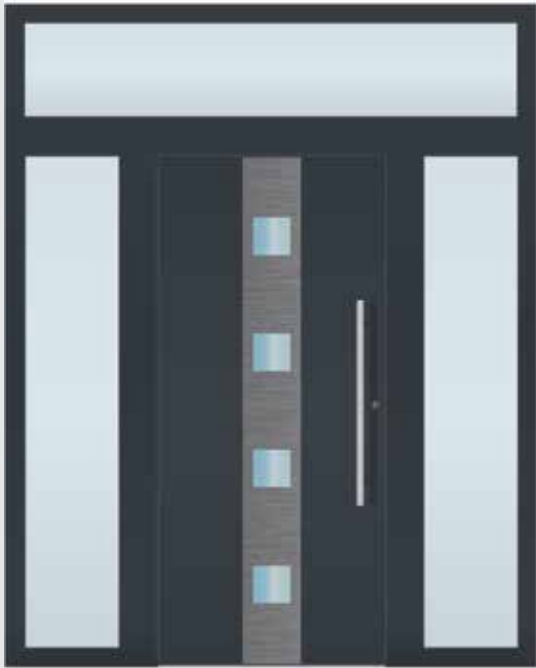


**Golden Oak**



**Old Oak**

✓ Side and top elements



**LRW**



**RW**



**LW**



**TW**



**TLRW**



**TLW**



**TRW**

✓ Glazing options



Clear **SGC**



Tinted **SGT**



Matt **SGM**

✓ Etched effect glazing



For design possibilities and price consult the manufacturer.



109





100



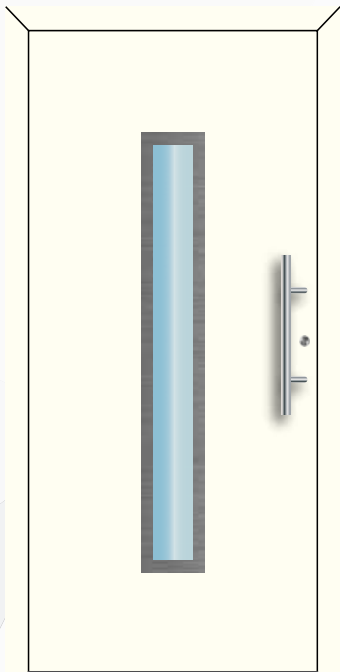
101



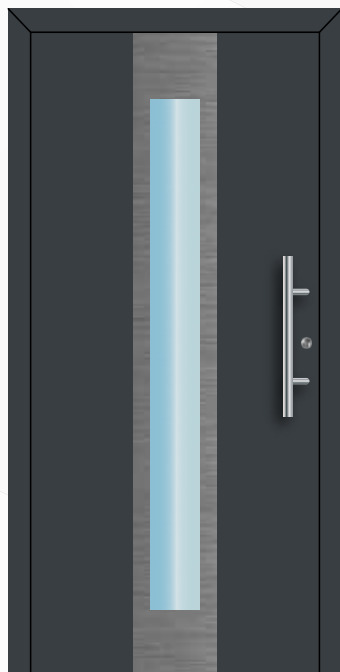
102



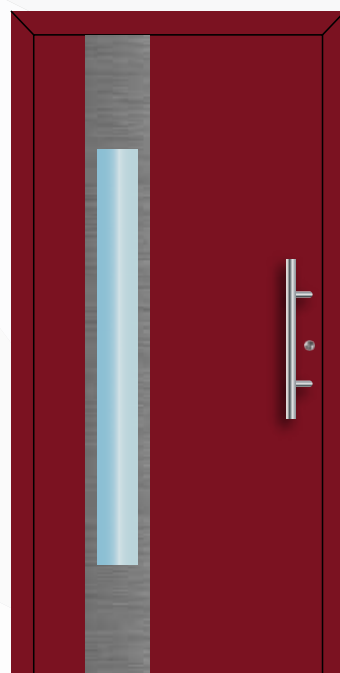
103



108



109



110



111



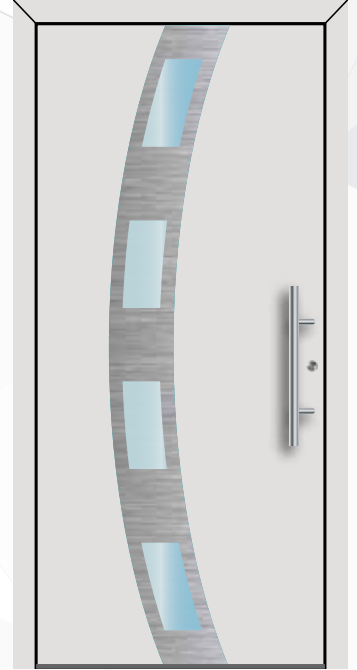
104



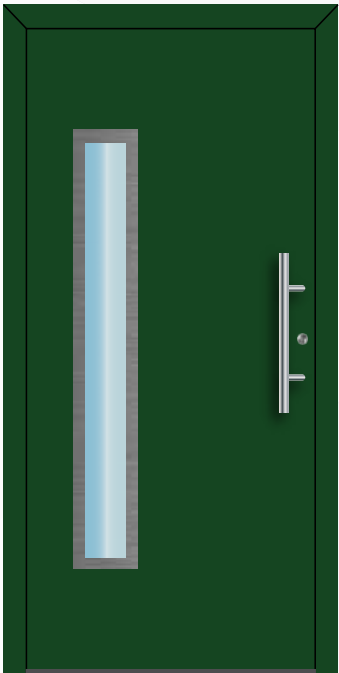
105



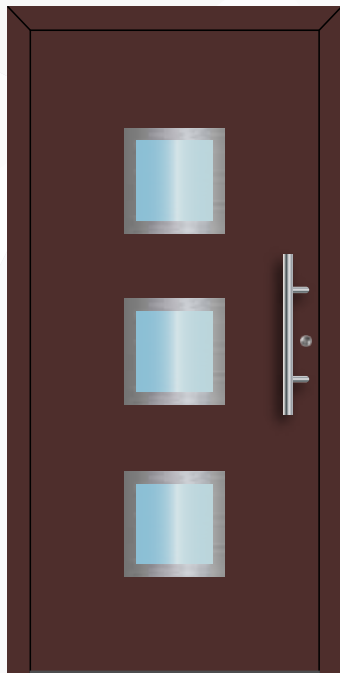
106



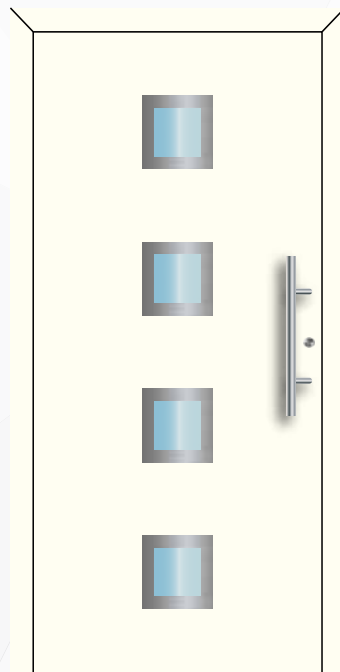
107



112



113



114



115

\* you can modify existing or create your own door design



